



## DELIVERY AND INSTALLATION

The Material handling truck comes with wheel sets, steering equipment, tow bar and corner posts on a pallet, and the long middle tube as a separate package. One of the front wheels is dismounted, to save transportation space.

Install the unassembled components and ensure that each attachment details are tightened. See the installation instructions on the next page.



## SAFETY INSTRUCTIONS

Only authorized personnel are allowed to use the truck! Authorization means obligation to take note of the instructions and follow them! Remember that you, as the user have the responsibility to ensure that no one gets hurt.

It is very important that you read and understand the instructions before you use the truck. If you have questions contact the supplier.

- Only use the truck for the purpose it was intended.
- Check that the truck is in good condition. Any damage must be reported to the management. The truck may not be used if any damage occurred that affect the operating and functional safety. Even if it has been repaired, altered or adjusted without a responsible person's permission and approval.
- The operation must be done in such a way that the risk of injury to persons and property don't accrue.
- Do not exceed the speed of 12 km / h
- Check the tire inflation pressure regularly.
- The truck is **not** equipped for **driving on public roads**. It is therefore not equipped as a "Low-speed vehicle", LSV.
- Do not drive with the truck unless the space in front, behind, below and around to it is free from people or obstacles.
- Observe the risk of crushing between the truck and the load during loading and unloading.
- Wear safety shoes and, if necessary, to the tasks, gloves and protective clothing.

## OPERATING INSTRUCTIONS

When used in a public location, particularly where children can get into the working area of the truck, the operator must take adequate measures to prevent persons from entering the hazardous area such as by cordoning off the work area.

Adjust the placement of the rear axle unit for the current load's length, shape and weight.

Maximum axle load is 2100 kg over the most heavily loaded axle, but strive to have as even distribution as possible. The distribution among axles must not exceed 60% on one axle and 40% on the other. Too much overhang backwards can cause the front axle to be lifted from the ground and made difficult to control.

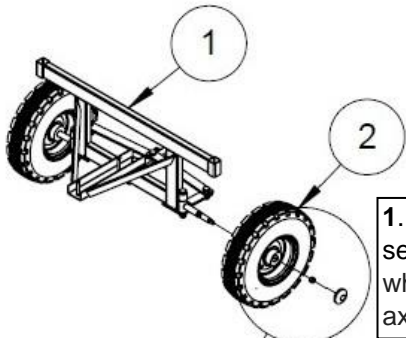
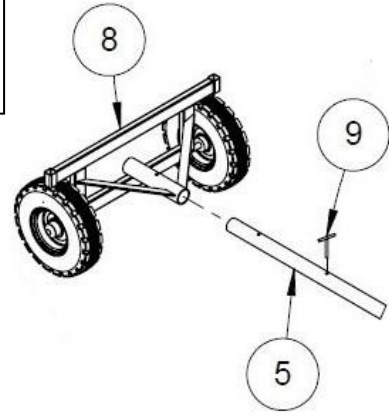
- It is absolutely forbidden to extend or reduce or otherwise alter the trucks carrying. Only use the locations of the rear axle unit that are predetermined.
- It is absolutely forbidden to use the truck to other loads (e.g. larger area or heavier) than it is intended for.
- The operator is liable for the goods secured from falling off the truck. Think of the centrifugal force when cornering.
- The operator is responsible ensuring the truck is not used for the transport of dangerous goods.
- Use towing vehicles that is suitable for towing carriage, i.e. it should have the appropriate connection for the truck draw bar, and have an adequate traction and braking ability of the maximum weight of the truck and cargo.
- The center of gravity of the load is assumed to be in the center of the truck.
- Never drive over ridges and cavities when load is on the truck. The whole rig can then overturn.
- Do not put the truck on inclined plane without blocking the wheels so that it can't come into rolling.
- At planned amendment of the wagon version, contact the manufacturer for written approval.
- Signs and labels must not be removed or made unreadable.
- Work Environment Authority regulations must be complied with.

The truck can be run manually or towed with an appropriate towing vehicle.

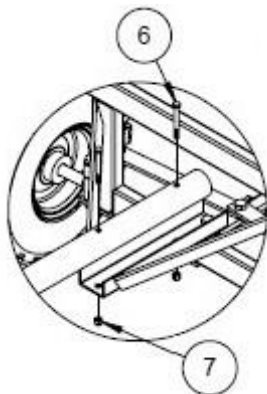
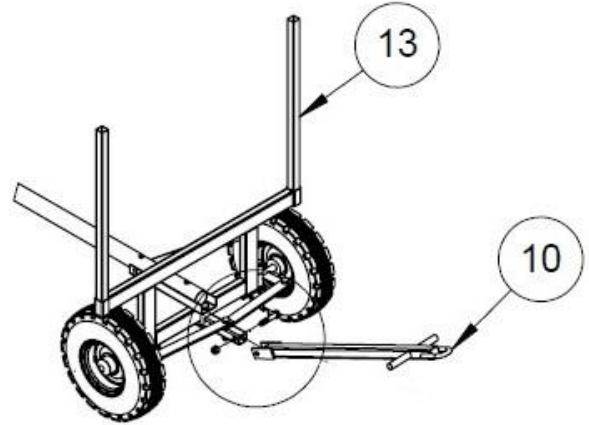
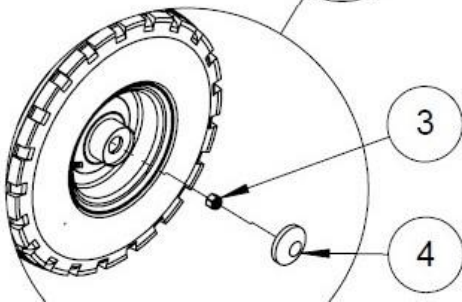
For manual driving remember that driving the truck especially safely and gently, as it thanks to mass forces can be hard to slow down, or difficult to control in curves. You should feel absolutely sure that you are able to handle the truck incl. load - if not, get help from someone else.

Use the towing vehicle to tow the truck, i.e. it will have the appropriate connection for the truck drawbar, and have an adequate traction and braking ability of the maximum weight of the truck and cargo.

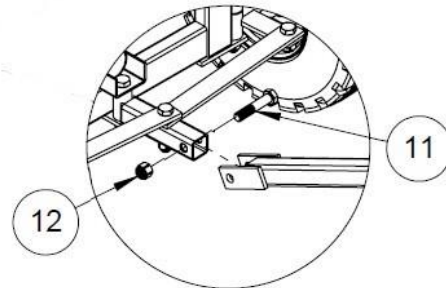
**3.** Insert the rear end of the pipe in the rear, and lock in one of the positions, depending on what is appropriate to the current material transport.



**1.** Install the separately supplied wheel on the front axle.



**2.** Place the front end of the pipe into the front axle and tighten it.



**4.** Install the tow bar in the front axle drive. Insert the 4 corner posts which prevent the material from sliding off the wagon.



### The wheels

The wheels are air-filled rubber tires, designed for a max. speed of 12 km/h Air pressure should be about 2.2 bar.

NOTE Do not drive on base with sharp edges, nails, screws, and other things that can harm the tires.



Do not put the truck on a slope without ensuring that it is blocked from rolling away.

### MAINTENANCE INSTRUCTIONS

The machine has no grease points, but some checks to be made.

- Check the air pressure in the wheels
- Make sure that no sharp objects are stuck in the wheels. Remove before serious damage occurs.

– The trolley service life and functionality depends on vehicle maintenance and storage. Stored indoors or under cover is preferred.

Conduct annual inspection of structures, fixings and fasteners. Check that no abnormal wear or any points for breakage or deformation has occurred.

### SIGNS

The trailer is equipped with the following signs:  
Machine plate with the address, load data, and CE Mark.  
Decal Max 3500 kg widespread and center load.  
Decal Read the manual, placed on the stand.

### INSTRUCTIONS FOR REUSE

The trolley is made of recyclable materials or materials that can be reused. Specialty companies collect used appliances, dismantle them and make use of the materials that can be reused.

### WARRANTY

In accordance with the warranty conditions in NL-09 redresses we free all the errors that can be attributed to manufacturing or material and occurred within twelve (12) months from delivery. For more detailed conditions, see NL-09.  
NOTE Other warranty conditions may occur. See relevant Order Acknowledgement Re. current terms.

For the warranty to apply, checks and maintenance carried out in accordance with the instructions. Damage caused by abuse or misuse of the equipment means that the warranty expires.

### Declaration of conformity according to the Machinery Directive 2006/42/EC, Annex 2A.

Konga Mekaniska Verkstad AB  
Dång 2, SE-362 93 Tingsryd



We hereby declare that the Material Handling Truck KM 125 and KM126 for max 3500 kg all applicable sections meet the essential safety requirements of the Machinery Directive. The undersigned is authorized to compile the technical documentation.

Konga 2015-11-09

Paul Haglund, CEO



Konga Mekaniska AB, Dång 2, SE-362 93 Tingsryd  
Tel: +46 (0)10-130 66 00 - E-mail: [info@kongamek.se](mailto:info@kongamek.se)